
Asymmetrical Six Sided Shape

If you have a equal six sided tilt rod, this adapter is not required.



The aluminum insert converts an asymmetrical six sided shape to the equal six sided shape tilt gear

The Delmar Tilt Gear has been discontinued.

Slats Do Not Turn With Tilt Gear

Some Tilt Gears Have a Clutch, After the blind is in the closed position the operator continues to turn the wand, (it turns, but not the louvers) The Clutch is to prevent the gear from breaking.

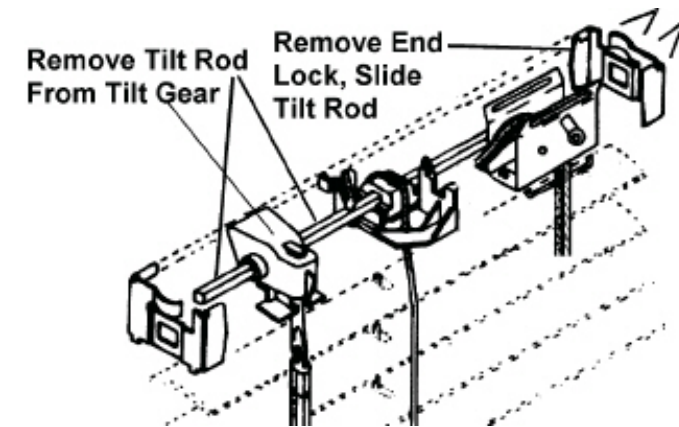
The gear needs to be set at the opposite end of the blank spot, clutch (centering it) hold the tilt gear between your fingers (where tilt rod goes through tilt gear) turning it, while you turn the wand, to make it start turning on it's own. With the slats in the open position, then slide pinion rod into tilt gear



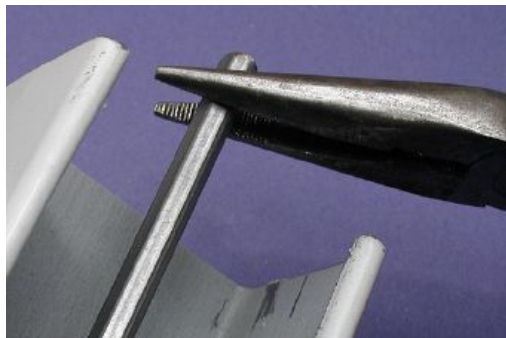
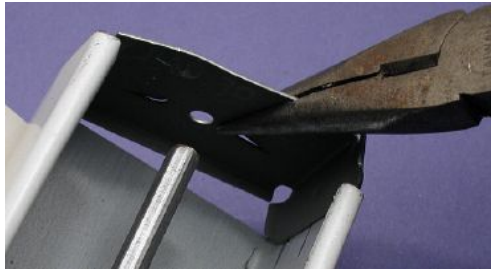
Our In Stock tilt Gear is an upgrade for many blinds.



How To install New Tilt Gear



Remove End Cap, Opposite of Tilt Gear, Then Slide the tilt rod out of the Tilt Gear.

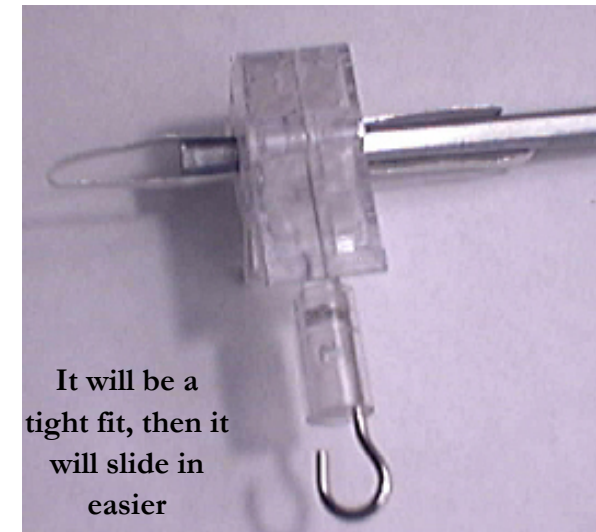
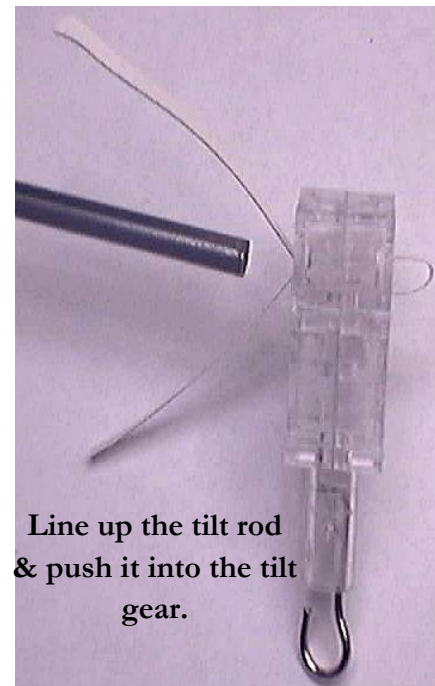
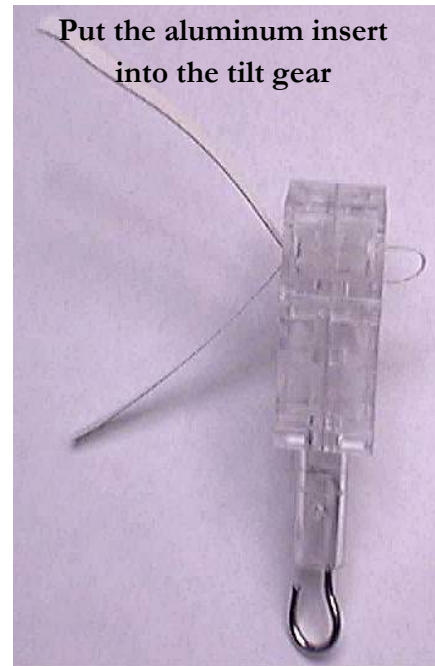


Remove The Broken Tilt Gear From The Headrail. Most tilt Gears Snap In Place



Some have Metal Tabs or Rivets

How To install Insert



Very Important To have The Drum in the correct position when sliding the tilt rod into the tilt gear

